

EGLINTON COLLECTION

WALL HUNG TOILET

CTL-3130A-WL	BOWL + CARRIER
LL-3130A-W	BOWL
FB-110W	WHITE PUSH BUTTON
FB-110C	CHROME PUSH BUTTON
FB-110MC	MATTE CHROME PUSH BUTTON
FB-110MB	MATTE BLACK PUSH BUTTON

PRODUCT FEATURES

- 6L/1.6G or 3L/0.8G
- Vitreous china
- Avenue white
- Easy to clean rimless bowl design
- Adjustable bowl height 16" min. - 17" max.
- Concealed skirted trapway
- Optional chrome, white and matte chrome push buttons available
- Smooth close, quick release slim design toilet seat included
- In-wall tank carrier system #CT-1031DF supplied for 2" x 4" installation

DIMENSIONS

Toilet Bowl: 14⁵/₈" (W) x 20⁷/₈" (D) x 14⁵/₈" (H)

365mm (W) x 530mm (D) x 365mm (H)

Tank Carrier: 23³/₄" (W) x 3¹/₂" (D) x 44⁹/₈" to 49⁵/₈" (H)

590mm (W) x 90mm (D) x 1127mm to 1260mm (H)

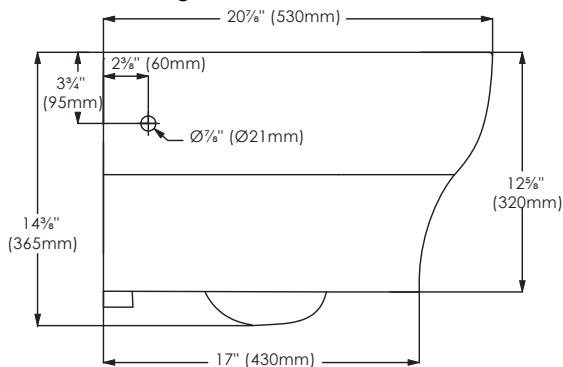
SHIPPING

Cube: Carrier: 3.57	Bowl: 3.87
GW: Carrier: 38 lbs	Bowl: 62 lbs
Load Capacity: Carrier: 500 lbs	Bowl: 800 lbs

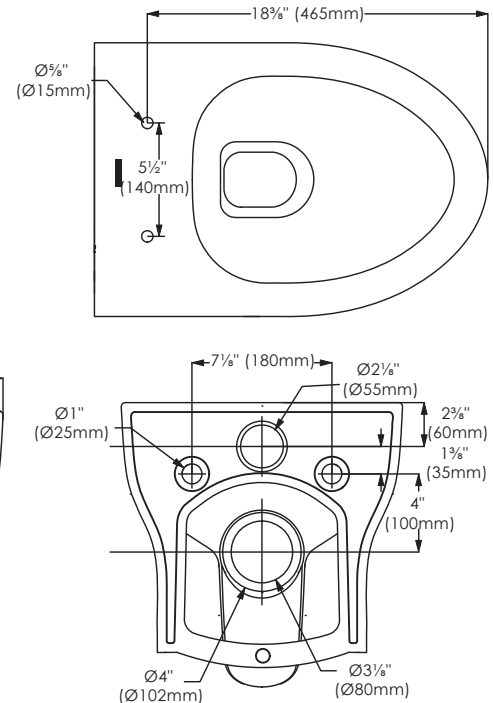
COMPLIANCE CERTIFICATIONS

Meets or exceeds the following :

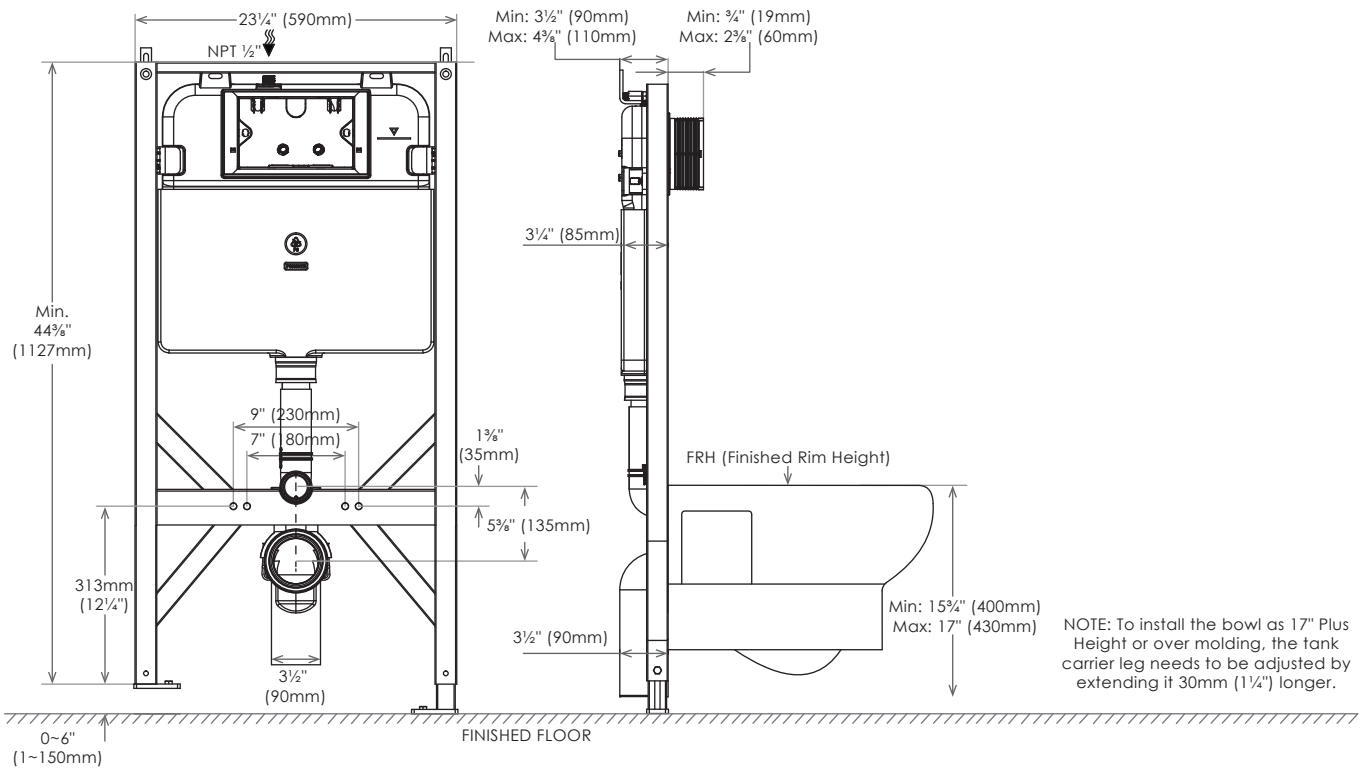
- IAPMO cUPC
- ASME A112.19.2 / CSA B45.1
- ASME A112.19.14
- ASME A112.6.2
- US EPA WaterSense
- MaP tested 800g



Note: Dimensions of fixtures are nominal and may vary within the range of tolerances established by ASME standard A112.19.2. These measurements are subject to change or cancellation. No responsibility is assumed for use of superseded or voided pages.



EGLINTON COLLECTION



NOTE: To install the bowl as 17" Plus Height or over molding, the tank carrier leg needs to be adjusted by extending it 30mm (1 1/4") longer.